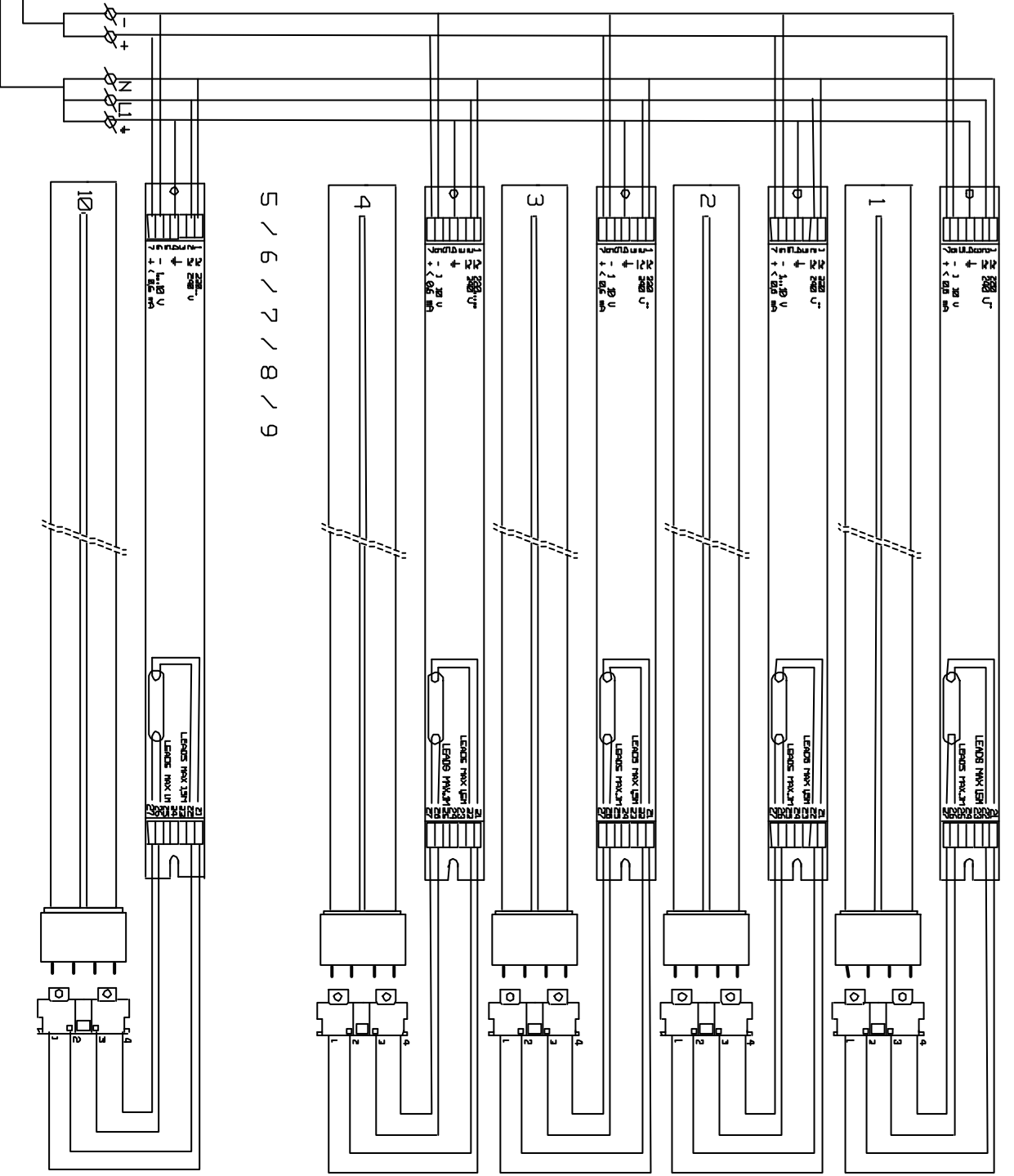
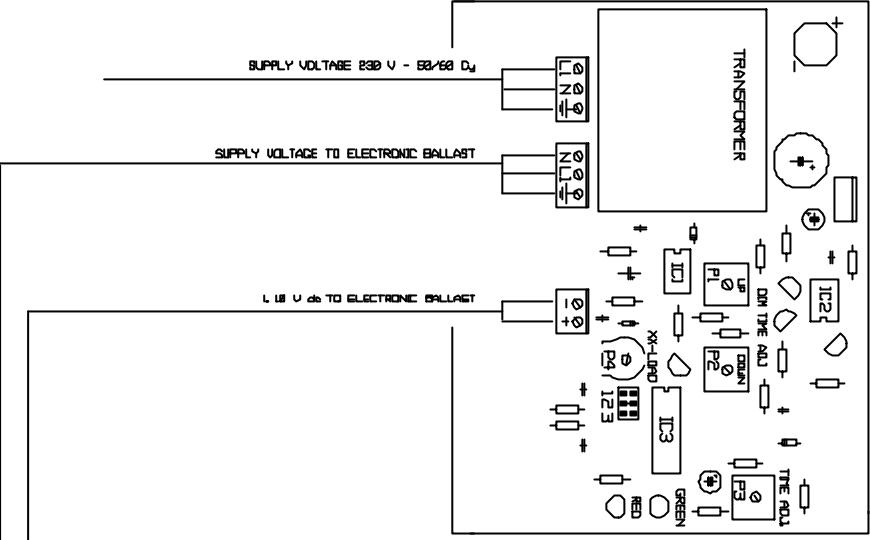


AUTOMATIC DIMMING UNIT FOR DIMMABLE BALLAST



vivaria projects

2e Jan Steenstraat 117, 1074 CN Amsterdam
 The Netherlands
 Tel.: +31 20 6764606 Fax: +31 20 6768079
 E-mail: info@vivaria.nl

Customer		Drawn A Verbruggen		Revision Date		Title:	
P1	P4	Date 05-03-2006	A	CONNECTION DULUX-L 80 W			
P2	P5		B	WITH DIMMABLE ELECTRONIC BALLAST			
P3	P6		C	IN PARALLEL CONNECTION TO AUTODIM			
			D	Prj.lect		Doc./Drawing nr	
				Equipm.		Sheet	